

Technical data sheet



Product features

Automatic coffee machine 40 cups per hour

Model	SAP Code	00038642
E60-L	A group of articles - web	Coffee machines



- Number of levers: 0
- Number of coffees / hour: 40
- Control type: Touchscreen
- Suction pump: Yes - also suitable for use in catering, independent of the pressure in the water line
- Exterior color of the device: Black

SAP Code	00038642	Number of levers	0
Net Width [mm]	391	Number of coffees / hour	40
Net Depth [mm]	559	Noise of device	55-70
Net Height [mm]	572	Drain connection	No
Net Weight [kg]	20.00	Display size	7"
Power electric [kW]	3.100	Dispeser	7-14
Loading	230 V / 1N - 50 Hz	Ground coffee container	0

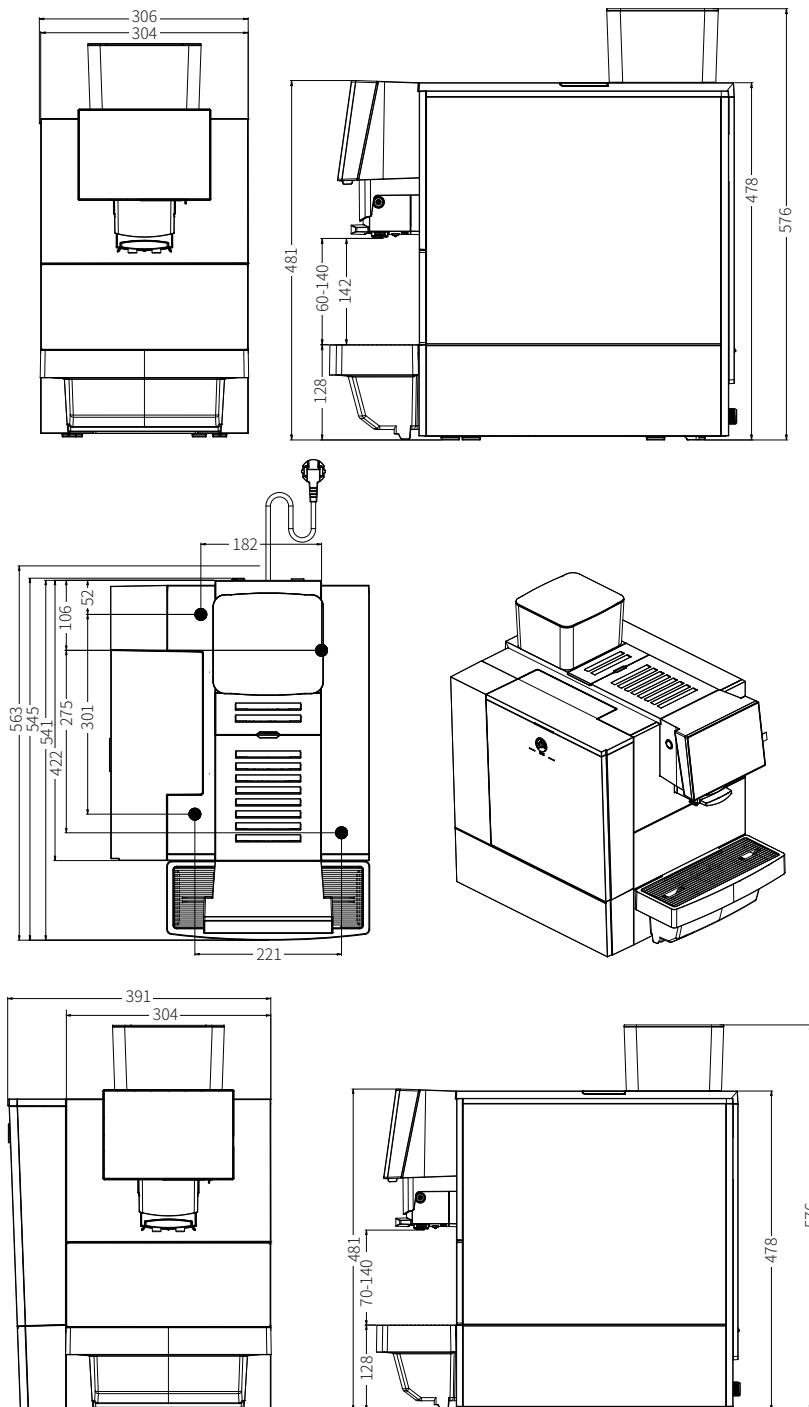
Technical data sheet



Technical drawing

Automatic coffee machine 40 cups per hour

Model	SAP Code	00038642
E60-L	A group of articles - web	Coffee machines



Technical data sheet



Product benefits

Automatic coffee machine 40 cups per hour

Model	SAP Code	00038642
E60-L	A group of articles - web	Coffee machines

1 **Modern 7-inch colour touch screen for easy drink selection**

- quick beverage selection
- saving time when choosing a drink

2 **Up to 20 tasty coffee variations for maximum pleasure**

- variability of selection
- satisfying many tastes - satisfied customer

3 **Removable bean hopper for easy cleaning and bean change**

- easy cleaning and bean replacement
- saving time and labor

4 **DIY the recipes of coffee to suit your taste**

- custom recipes and coffee intensity
- customer satisfaction according to their own preferences

5 **Innovative milk system for delicate foam and temp.**

- rich foam and delicate taste
- more satisfied tastes and customers

6 **Coffe and milk can be made simultaneously for quick efficiency**

- synchronized preparation of coffee and milk at the same time
- saving time when preparing coffee with milk

7 **water supply for option: water tank, bottle water**

- variability of operation
- location options in each operation or changing the water supply

8 **Fully automatic coffee machine**

- easy to operate
- saving time, labor and costs when preparing coffee

9 **Coffee outlet height: 75-155 mm**

- Cup height adjustment
- Variability of cups used, clean operation without drips from high falls

10 **Coffee machine suitable for hotels, offices, schools, restaurants, cafes, bakeries, pastry shops and other gastronomic establishments.**

- wide variability of location
- return on location variability

Technical data sheet



Technical parameters

Automatic coffee machine 40 cups per hour

Model	SAP Code	00038642
E60-L	A group of articles - web	Coffee machines

1. SAP Code:

00038642

2. Net Width [mm]:

391

3. Net Depth [mm]:

559

4. Net Height [mm]:

572

5. Net Weight [kg]:

20.00

6. Gross Width [mm]:

490

7. Gross depth [mm]:

630

8. Gross Height [mm]:

730

9. Gross Weight [kg]:

23.00

10. Device type:

Electric unit

11. Exterior color of the device:

Black

12. Power electric [kW]:

3.100

13. Loading:

230 V / 1N - 50 Hz

14. Coffee grinder:

Yes

15. Cappuccino maker:

Yes

16. Number of coffees / hour:

40

17. displaycounter:

Yes

18. Suction pump:

Yes - also suitable for use in catering, independent of the pressure in the water line

19. Filling :

Automatic

20. Control type:

Touchscreen

21. Volume capacity of the container [l]:

6.00

22. Number of levers:

0

23. Noise of device:

55-70

24. Cross-section of conductors CU [mm²]:

0,75

25. Recommended accessories:

00039488;00039489;00039716